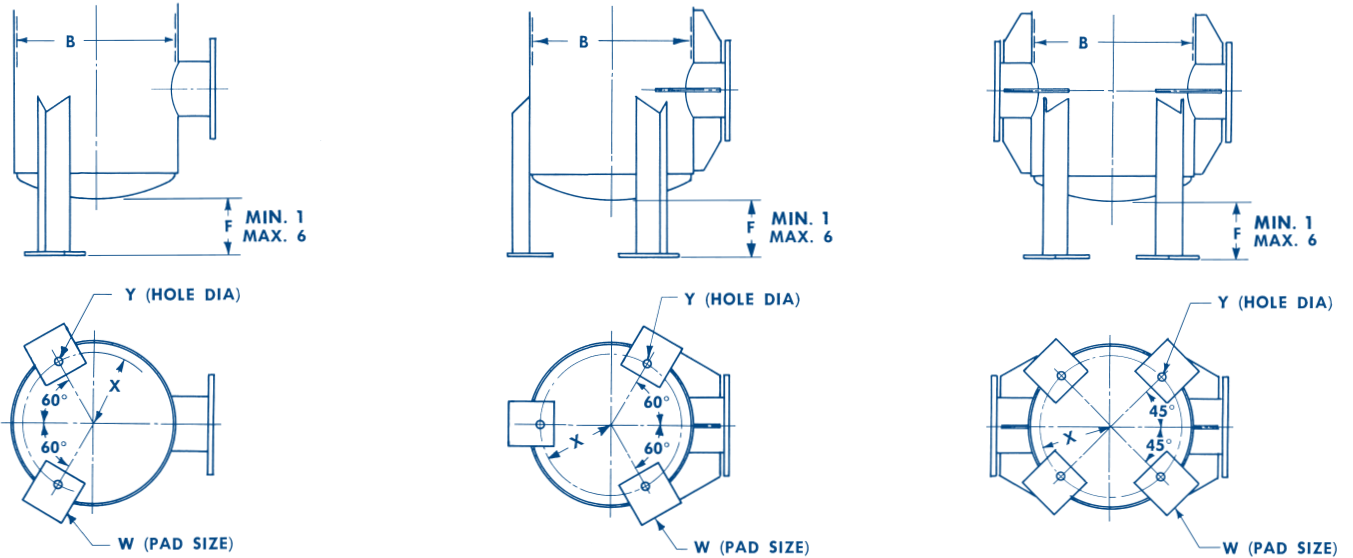


Vertical Mounting Brackets



2 Brackets
Units through 16" shell diameter

3 Brackets
Units 18" shell diameter and larger

4 Brackets
Units with dual low side nozzles. 18" shell diameter and larger

Vertical Mounting Brackets

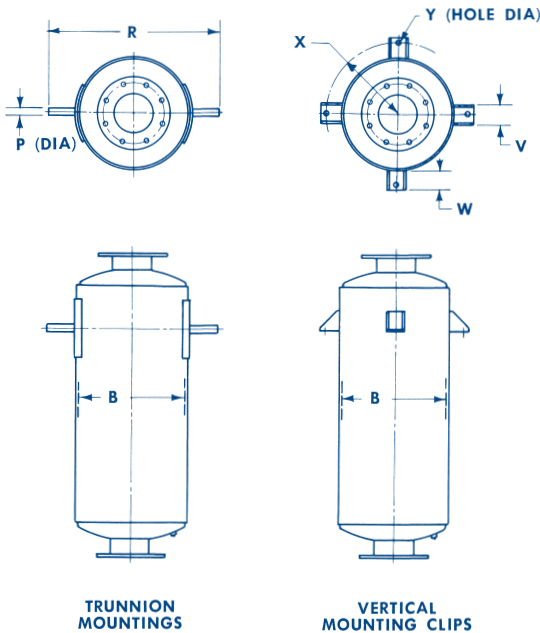
PART NO.	B	X	Y	W	WT.PER BRACKET
A11-101	12	4½	7/8	4 x 4	3½
A11-101	14	5½	7/8	4 x 4	3½
A11-101	16	6½	7/8	4 x 4	3½
A11-102	18	7¾	1	5 x 5	6
A11-102	20	8¾	1	5 x 5	6
A11-102	22	9¾	1	5 x 5	6
A11-102	24	10¾	1	5 x 5	6
A11-102	26	11¾	1	5 x 5	6
A11-102	30	13¾	1	5 x 5	6
A11-103	36	16½	1¼	6 x 6	11
A11-103	42	19½	1¼	6 x 6	11
A11-103	48	22½	1¼	6 x 6	11
A11-104	54	25½	1⅝	7 x 7	32
A11-104	60	28½	1⅝	7 x 7	32
A11-104	66	31½	1⅝	7 x 7	32
A11-104	72	34½	1⅝	7 x 7	32
A11-105	78	36	1⅝	9 x 9	70
A11-105	84	39	1⅝	9 x 9	70
A11-105	90	42	1⅝	9 x 9	70
A11-105	96	45	1⅝	9 x 9	70
A11-105	102	48	1⅝	9 x 9	70

All brackets are welded in place unless otherwise specified. Special brackets available upon request.

Trunnions and Mounting Clips

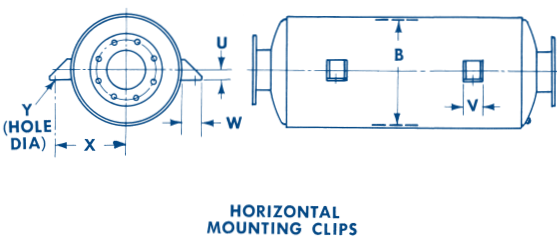
TRUNNION MOUNTS					VERTICAL OR HORIZONTAL MOUNTING CLIPS							
B	PART NO.	P	R	WT.	B	PART NO.	X	Y	W	V	U	WT. PER CLIP
12	A13-101	1	20	14	12	A14-101	77/8	3/4	2½	3	1¼	2
14	A13-102	1	22	15	14	A14-101	87/8	3/4	2½	3	1¼	2
16	A13-103	1	24	16	16	A14-101	97/8	3/4	2½	3	1¼	2
18	A13-104	1	26	17	18	A14-101	107/8	3/4	2½	3	1¼	2
20	A13-105	1½	32	30	20	A14-102	12¼	1	3	4	1½	3½
22	A13-106	1½	34	34	22	A14-102	13¼	1	3	4	1½	3½
24	A13-107	1½	36	38	24	A14-102	14¼	1	3	4	1½	3½
26	A13-108	1½	38	42	26	A14-102	15¼	1	3	4	1½	3½
30	A13-109	2	42	90	30	A14-103	18	1¼	4	4	2	6
36	A13-110	2	48	95	36	A14-103	21	1¼	4	4	2	6
42	A13-111	2	54	100	42	A14-103	24	1¼	4	4	2	6
48	A13-112	2	60	105	48	A14-103	27	1¼	4	4	2	6
54	A13-113	3	66	220	54	A14-104	31¾	1⅝	6	6	3	15
60	A13-114	3	72	230	60	A14-104	34¾	1⅝	6	6	3	15
66	A13-115	3	78	240	66	A14-104	37¾	1⅝	6	6	3	15
72	A13-116	3	84	250	72	A14-104	40¾	1⅝	6	6	3	15

Trunnions and Mounting Clips



TRUNNION MOUNTINGS

VERTICAL MOUNTING CLIPS



HORIZONTAL MOUNTING CLIPS